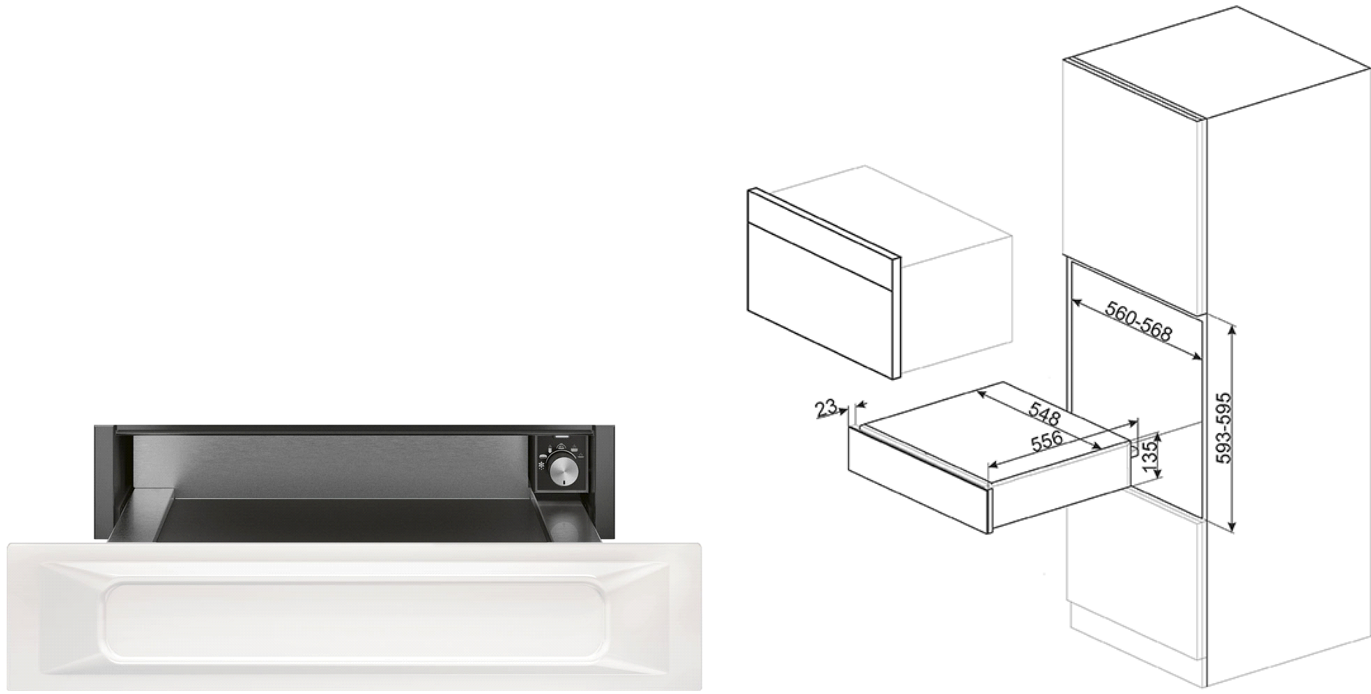


H x 15cm "Victoria" Built in Warming drawer, White  
EAN13: 8017709242466



• Special promotion on this model\* 5 year guarantee on parts and labour if purchased by 31st December 2019. The offer is applicable to Victoria built-in appliances. Terms and conditions apply. At selected displaying retailers only. [For full terms and conditions please click here](#) •



• Suitable for fitting directly beneath a 45cm height compact Oven • Both items together fit in a standard 60cm aperture • Maximum load weight 15kg (inside drawer) / 85kg (above the drawer) • Temperature range 30-80°C • Push-pull mechanism (no handle) • Capacity: 21 litres • Non slip drawer liner • Keep warm, Reheating, Defrost, Proving, Cup warmer, Dish warmer • Power heating element: 400W •

**NB: Not suitable for fitting underneath a Double oven unless a support shelf has been installed between the appliances**