

DHT71EUK-1

Freestanding Heat Pump Condenser Dryer, White
Energy Efficiency Class: A+

EAN13: 8017709211455



- Display: Delay timer (24hrs), Rest time indication, Visualisation of the selected options
- 16 programmes
- Special programs: Refresh, Delicates, Shirts, Gym, Quick

45 min

- Additional options: easy iron, cooling down
- Max drying capacity: 7 kg
- Humidity sensor (auto programmes)

Heating pump system

- Internal light
- St/steel drum
- Extra large 340 mm porthole
- Child lock (programme lock)
- Transparent door

Consumption:

- For complete 7 kg, energy: 2.29 kWh
- Annual energy consumption: 276 kWh
- Noise level: 66 dB (A) Re 1 pW

NB: This model has the possibility to attach a waste pipe. It does not come with a kit.



Options

- **KITSPF-1** - Stacking kit for all WHT washers and 54cm deep DHT dryers



DHT71EUK-1

dryer
free standing
60 cm
white
energy rating A+

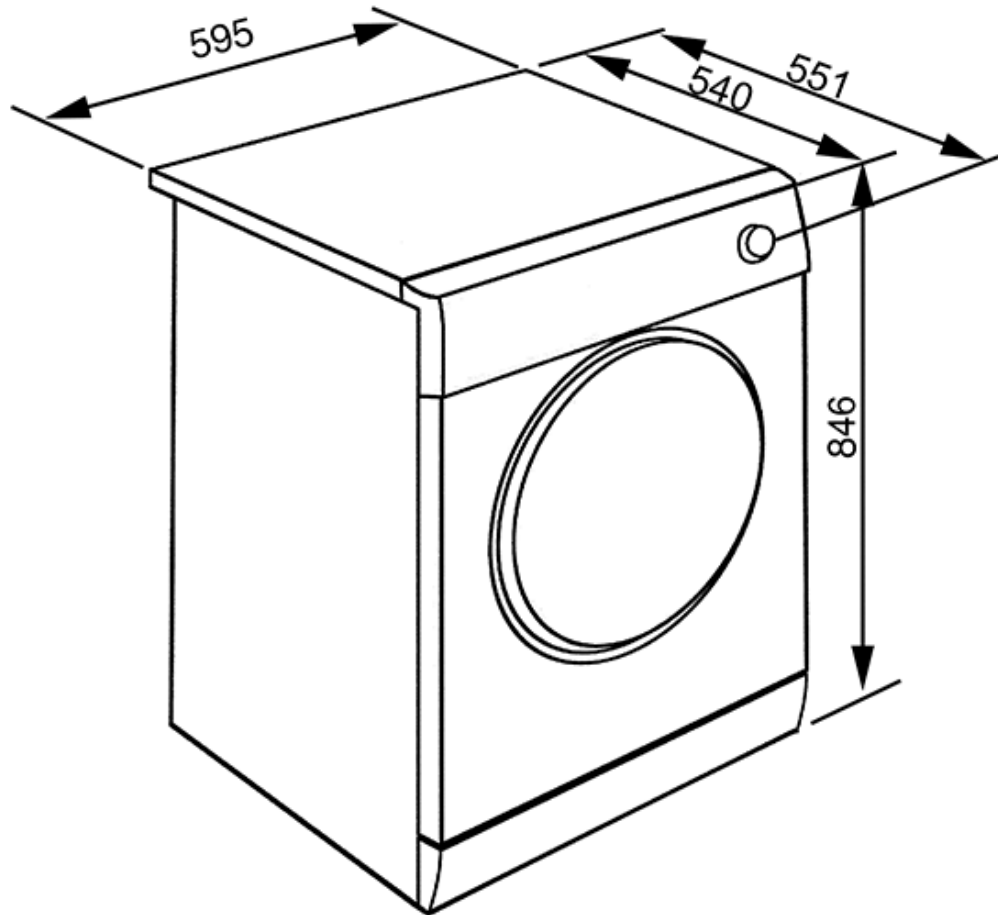


Smeg (UK) Ltd
The Magna Building, Wyndyke Furlong, Abingdon
OX14 1DZ
Tel. +44 (0)844 557 9907
Fax +44 (0)844 557 9337



DHT71EUK-1

dryer
free standing
60 cm
white
energy rating A+



Smeg (UK) Ltd
The Magna Building, Wyndyke Furlong, Abingdon
OX14 1DZ
Tel. +44 (0)844 557 9907
Fax +44 (0)844 557 9337