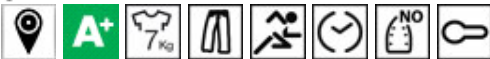
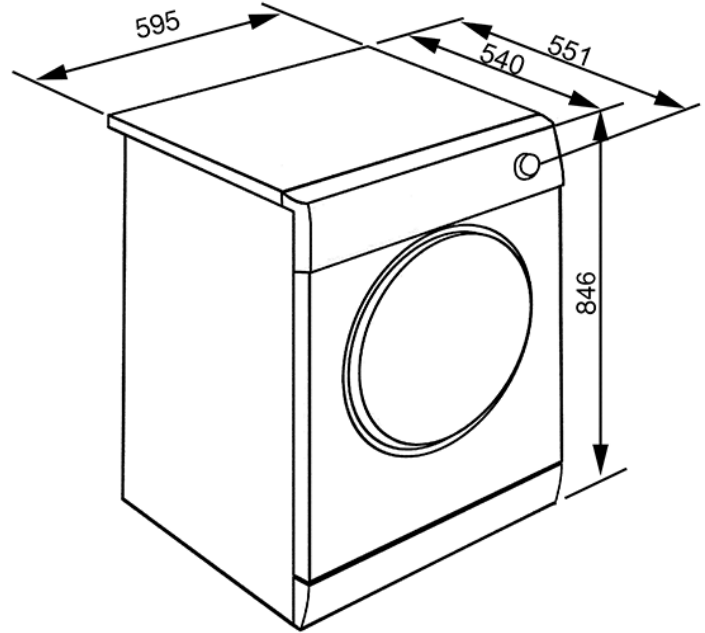


Freestanding Heat Pump Condenser Dryer, White
Energy Efficiency Class: A+
EAN13: 8017709211455



• Display: Delay timer (24hrs), Rest time indication, Visualisation of the selected options • 16 programmes • Special programs: Refresh, Delicates, Shirts, Gym, Quick • 45 min • Additional options: easy iron, cooling down • Max drying capacity: 7 kg • Humidity sensor (auto programmes) • **Heating pump system** • Internal light • St/steel drum • Extra large 340 mm porthole • Child lock (programme lock) • Transparent door • Consumption: • For complete 7 kg, energy: 2.29 kWh • Annual energy consumption: 276 kWh • Noise level: 66 dB (A) Re 1 pW • NB: This model has the possibility to attach a waste pipe. It does not come with a kit.

Options

- KITSPF-1 - Stacking kit for all WHT washers and 54cm deep DHT dryers