

FAB10RB

50's Retro style

50's style Fridge with ice compartment
in White, Right hand hinge

Energy efficiency class A+

EAN13: 8017709182717



- Gross capacity: 120 litres
- Energy consumption: 169 Kwh per year
- Climatic class: SN
- Freezing capacity: 2kg/24h
- Thaw time: 10h

Refrigerator

- Fresh food capacity: 107 litres
- Automatic defrost
- Adjustable thermostat
- 2 adjustable glass shelves
- 1 fruit and vegetable drawer

Ice Box (Four stars)

- Frozen food capacity: 13 litres
- Ice cube tray

Rear panel material : Flame Retardant Aluminium Foil back



Key to symbols



Versions

- **FAB10LR** - 50's Style refrigerator with ice compartment, Red, LHH
- **FAB10LUJ** - 50's Style refrigerator with ice compartment, Union Jack, LHH
- **FAB10RR** - 50's Style refrigerator with ice compartment, Red, RHH
- **FAB10RUJ** - 50's Style refrigerator with ice compartment, Union Jack, RHH
- **FAB10RP** - 50's Style refrigerator with ice compartment, Cream, RHH
- **FAB10LP** - 50's Style refrigerator with ice compartment, Cream, LHH
- **FAB10LO** - 50's Style refrigerator with ice compartment, Orange, LHH
- **FAB10RO** - 50's Style refrigerator with ice compartment, Orange, RHH
- **FAB10RB** - 50's Style refrigerator with ice compartment, White, RHH
- **FAB10LNE** - 50's Style refrigerator with ice compartment, Black, LHH
- **FAB10RNE** - 50's Style refrigerator with ice compartment, Black, RHH
- **FAB10LB** - 50's Style refrigerator with ice compartment, White, LHH



FAB10RB

50's Retro style

fridge
free standing
free standing
white
60 cm
energy rating A+



A+:

Smeg products with A+ or A++ energy rating are highlighted with one of the following Symbols



Automatic defrost:

The automatic defrost system works by automatically defrosting the fridge section at regular intervals eradicating the need to defrost altogether.

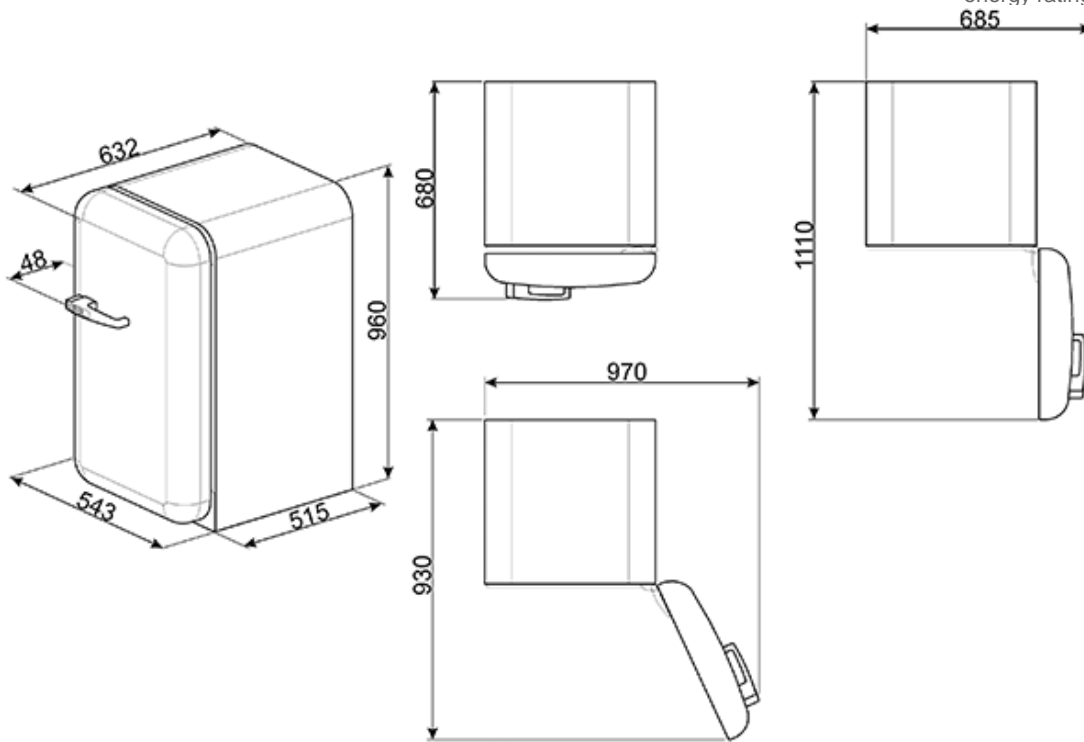
Smeg (UK) Ltd
The Magna Building, Wyndyke Furlong, Abingdon
OX14 1DZ
Tel. +44 (0)844 557 9907
Fax +44 (0)844 557 9337



FAB10RB

50's Retro style

fridge
free standing
free standing
white
60 cm
energy rating A+



Smeg (UK) Ltd
The Magna Building, Wyndyke Furlong, Abingdon
OX14 1DZ
Tel. +44 (0)844 557 9907
Fax +44 (0)844 557 9337