

FAB50LBL

50's Retro style

50's Style 'No Frost' Fridge-freezer Black,
Left hand hinge
Energy efficiency class A++

EAN13: 8017709243418

- Gross capacity: 467 litres
- 1 compressor
- Noise level: 44 dB (A) re 1 Pw

REFRIGERATOR

- Fresh Food capacity: 315 litres
- Life Plus 0°C zone
- 3 adjustable glass shelves
- 1 fixed glass shelf
- 2 fruit & vegetable drawers

FREEZER****

- Frozen Food capacity: 97 litres
- Manual ice maker
- Fast freezing compartment
- 1 fixed glass shelf
- NO FROST
- Energy efficiency class: A++
- Energy consumption: 300 kWh/year
- Climatic class: N-T
- Freezing capacity: 5.5kg/24h
- Thaw time: 10h

Rear panel material : Flame Retardant Polypropylene & Aluminium Foil back

A gap of 200mm must be left on the hinged side of the product to allow the door to open.



Key to symbols



Versions

- **FAB50RCR** - 50's Style Large Fridge Freezer, RHH, Cream
- **FAB50LCR** - 50's Style Large Fridge Freezer, LHH, Cream
- **FAB50RSV** - 50's Style Large Fridge Freezer, RHH, Silver
- **FAB50LSV** - 50's Style Large Fridge Freezer, LHH, Silver
- **FAB50RPG** - 50's Style Large Fridge Freezer, RHH, Pastel Green
- **FAB50LPG** - 50's Style Large Fridge Freezer, LHH, Pastel Green
- **FAB50LPB** - 50's Style Large Fridge Freezer, LHH, Pastel Blue
- **FAB50RPB** - 50's Style Large Fridge Freezer, RHH, Pastel Blue
- **FAB50RBL** - 50's Style Large Fridge Freezer, RHH, Black
- **FAB50LBL** - 50's Style Large Fridge Freezer, LHH, Black
- **FAB50LWH** - 50's Style Large Fridge Freezer, LHH, White
- **FAB50RWH** - 50's Style Large Fridge Freezer, RHH, White

Smeg (UK) Ltd
The Magna Building, Wyndyke Furlong, Abingdon
OX14 1DZ
Tel. +44 (0)844 557 9907
Fax +44 (0)844 557 9337



A++:

Smeg products with A+ or A++ energy rating are highlighted with one of the following Symbols



No Frost:

The No Frost and Frost free systems prevent ice from forming so that no defrosting is required.



Fast freezing:

The fast freezing function brings the temperature of the compartment down when activated a few hours prior to usage.



Automatic defrost:

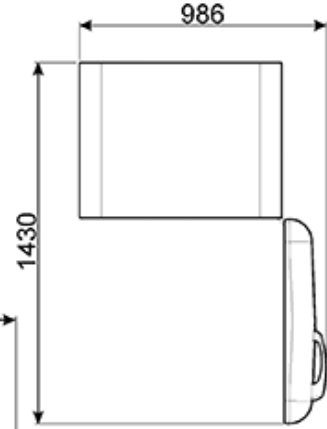
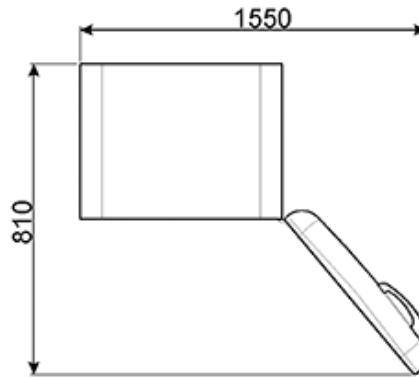
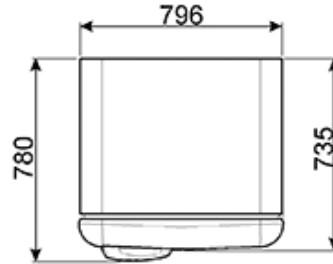
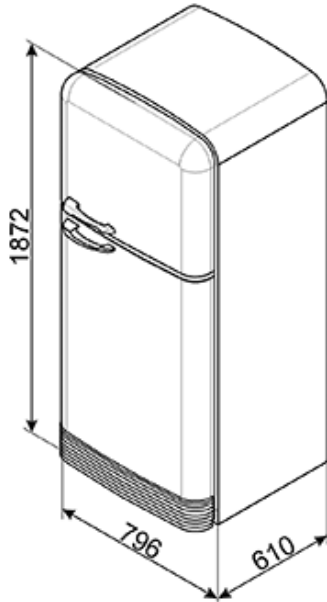
The automatic defrost system works by automatically defrosting the fridge section at regular intervals eradicating the need to defrost altogether.



FAB50LBL

50's Retro style

fridge freezer
free standing
free standing
black
82 cm
energy rating A++



Smeg (UK) Ltd
The Magna Building, Wyndyke Furlong, Abingdon
OX14 1DZ
Tel. +44 (0)844 557 9907
Fax +44 (0)844 557 9337