

## FAB50LCR

### 50's Retro style

50's Style 'No Frost' Fridge-freezer Cream,  
Left hand hinge  
Energy efficiency class A++

EAN13: 8017709233914

- Gross capacity: 467 litres
- 1 compressor
- Noise level: 44 dB (A) re 1 Pw

#### REFRIGERATOR

- Fresh Food capacity: 315 litres
- Life Plus 0°C zone
- 3 adjustable glass shelves
- 1 fixed glass shelf
- 2 fruit & vegetable drawers

#### FREEZER\*\*\*\*

- Frozen Food capacity: 97 litres
- Manual ice maker
- Fast freezing compartment
- 1 fixed glass shelf
- NO FROST
- Energy efficiency class: A++
- Energy consumption: 300 kWh/year
- Climatic class: N-T
- Freezing capacity: 5.5kg/24h
- Thaw time: 10h

Rear panel material : Flame Retardant Polypropylene & Aluminium Foil back

A gap of 200mm must be left on the hinged side of the product to allow the door to open.



### Key to symbols



### Versions

- **FAB50RCR** - 50's Style Large Fridge Freezer, RHH, Cream
- **FAB50LCR** - 50's Style Large Fridge Freezer, LHH, Cream
- **FAB50RSV** - 50's Style Large Fridge Freezer, RHH, Silver
- **FAB50LSV** - 50's Style Large Fridge Freezer, LHH, Silver
- **FAB50RPG** - 50's Style Large Fridge Freezer, RHH, Pastel Green
- **FAB50LPG** - 50's Style Large Fridge Freezer, LHH, Pastel Green
- **FAB50LPB** - 50's Style Large Fridge Freezer, LHH, Pastel Blue
- **FAB50RPB** - 50's Style Large Fridge Freezer, RHH, Pastel Blue
- **FAB50RBL** - 50's Style Large Fridge Freezer, RHH, Black
- **FAB50LBL** - 50's Style Large Fridge Freezer, LHH, Black
- **FAB50LWH** - 50's Style Large Fridge Freezer, LHH, White
- **FAB50RWH** - 50's Style Large Fridge Freezer, RHH, White

**Smeg (UK) Ltd**  
**The Magna Building, Wyndyke Furlong, Abingdon**  
**OX14 1DZ**  
**Tel. +44 (0)844 557 9907**  
**Fax +44 (0)844 557 9337**



**A++:**

Smeg products with A+ or A++ energy rating are highlighted with one of the following Symbols



**No Frost:**

The No Frost and Frost free systems prevent ice from forming so that no defrosting is required.



**Fast freezing:**

The fast freezing function brings the temperature of the compartment down when activated a few hours prior to usage.



**Automatic defrost:**

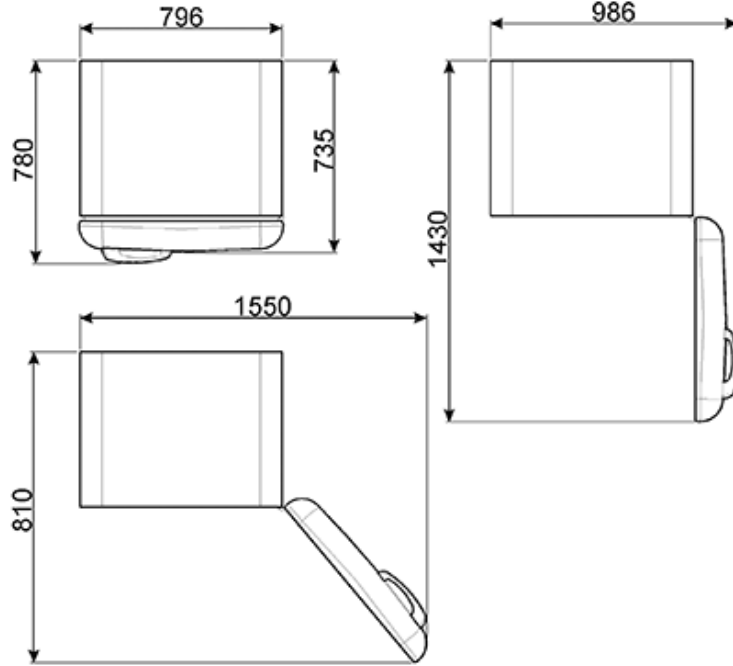
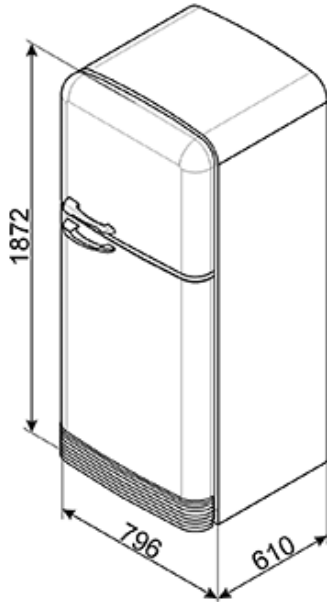
The automatic defrost system works by automatically defrosting the fridge section at regular intervals eradicating the need to defrost altogether.



# FAB50LCR

50's Retro style

fridge freezer  
free standing  
free standing  
cream  
82 cm  
energy rating A++



Smeg (UK) Ltd  
The Magna Building, Wyndyke Furlong, Abingdon  
OX14 1DZ  
Tel. +44 (0)844 557 9907  
Fax +44 (0)844 557 9337