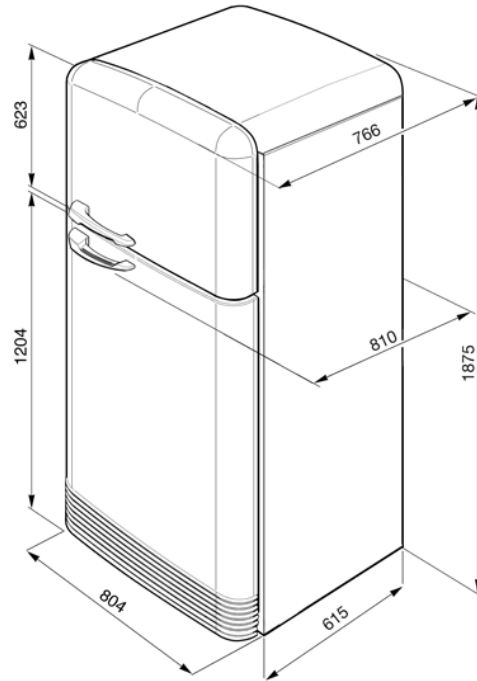


50's Style 'No Frost' Fridge-freezer Black,  
Right hand hinge  
Energy efficiency class A++  
EAN13: 8017709243401



• Gross capacity: 467 litres • 1 compressor • Noise level: 44 dB (A) re 1 Pw • REFRIGERATOR • Fresh Food capacity: 315 litres • Life Plus 0°C zone • 3 adjustable glass shelves • 1 fixed glass shelf • 2 fruit & vegetable drawers • FREEZER\*\*\*\* • Frozen Food capacity: 97 litres • Manual ice maker • Fast freezing compartment • 1 fixed glass shelf • NO FROST • Energy efficiency class: A++ • Energy consumption: 300 kWh/year • Climatic class: N-T • Freezing capacity: 5.5kg/24h • Thaw time: 10h • Rear panel material: Flame Retardant Polypropylene & Aluminium Foil back • A gap of 200mm must be left on the hinged side of the product to allow the door to open.

## Key to symbols



## Versions

• FAB50RCR - 50's Style Large Fridge Freezer, RHH, Cream • FAB50LCR - 50's Style Large Fridge Freezer, LHH, Cream • FAB50RSV - 50's Style Large Fridge Freezer, RHH, Silver • FAB50LSV - 50's Style Large Fridge Freezer, LHH, Silver • FAB50LPG - 50's Style Large Fridge Freezer, LHH, Pastel Green • FAB50RPG - 50's Style Large Fridge Freezer, RHH, Pastel Green • FAB50RPB - 50's Style Large Fridge Freezer, RHH, Pastel Blue • FAB50LPB - 50's Style Large Fridge Freezer, LHH, Pastel Blue • FAB50RBL - 50's Style Large Fridge Freezer, RHH, Black • FAB50LBL - 50's Style Large Fridge Freezer, LHH, Black • FAB50LWH - 50's Style Large Fridge Freezer, LHH, White • FAB50RWH - 50's Style Large Fridge Freezer, RHH, White