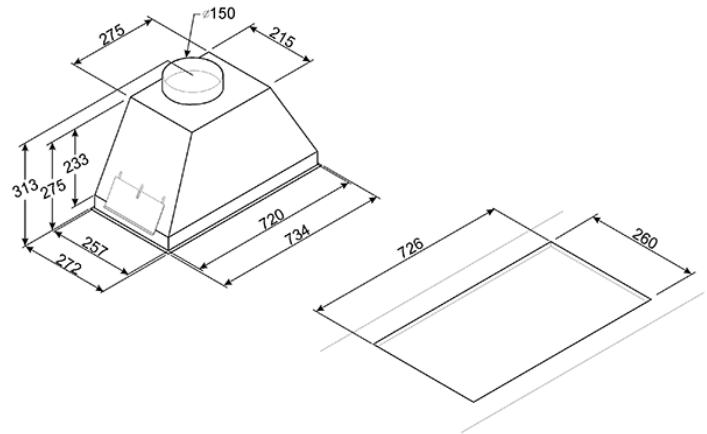
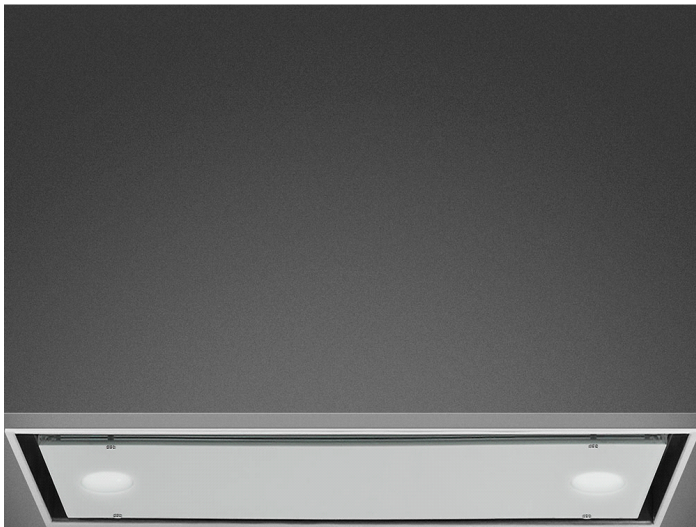


72cm "Dolce Stil Novo" Integrated Hood, Stainless Steel & White Glass

Energy rating: B

For stockist information please contact Smeg UK directly
<http://www.smeguk.com/contact-us/>
EAN13: 8017709226183



- Special promotion on this model* 5 year guarantee on parts and labour if purchased by 30th June 2019. • Terms and conditions apply. At selected displaying retailers only. [For full terms and conditions please click here](#) • Energy rating: B • 1 high performance motor, 235W • Electronic controls • 3 speeds, plus intensive • 2 x 1W LED lights • 1 x Stainless Steel grease filter • Perimeter extraction • Automatic switch-off • Non return valve • Vent outlet: Ø 150 mm • Internal re-circulation possible • Nominal power 238W •

Speed	I	II	III	IV
Extraction Rate IEC 61591	280	367	480	700
Noise Level dB(A) IEC 60704-2-13	48	55	61	68

Functions



Options

- FLTGA90 - Charcoal filter kit • RCGA - Remote control • SP150 - Simple ducting kit (150mm wide) • SP150FLAT - Comprehensive ducting kit (150mm wide)