

## RI76RSI

75cm Luxury Built In Fridge Freezer, RHH  
Energy Efficiency Class: A+

AVAILABLE WHILST STOCKS LAST!

EAN13: 8017709205102



- Gross capacity: 454 litres
- Right hand hinged
- Door on door hinge
- LCD touch display
- Functions: Holiday, Fast Freezing, Fast Cooling, Multizone, Control lock, Temperature alarm, Sabbath
- Noise level: 41 dB (A) re 1 PW

### Refrigerator:

- Fresh food capacity: 312 litres
- Automatic defrost
- 3 adjustable glass shelves
- 1 fruit & vegetable drawer on sliding rail
- Life plus zone 0°C drawer on sliding rail
- LED internal light

### Freezer/MultiZone: \*\*\*\*

- Frozen food capacity: 81 litres
- 2 drawers
- LED internal light
- Automatic ice maker
- Ice tray
- Total No Frost
  
- Annual energy consumption: 365 kWh
- Freezing capacity: 15 kg/h
- Thaw time: 12 hrs
- Climatic class: SN-T

Rear panel material : Flame Retardant Metal back

## Options

- **REFLKB1** - Linking Strip for Built in Luxury models





## RI76RSI

fridge freezer  
built-in  
Luxury  
white  
75 cm  
energy rating A+

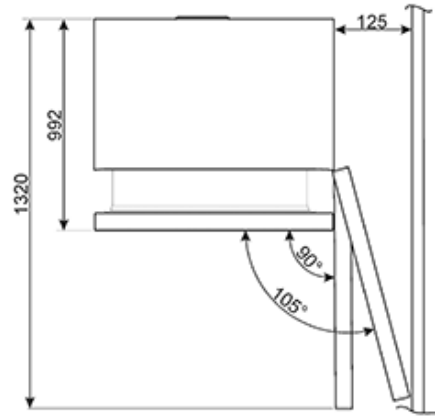
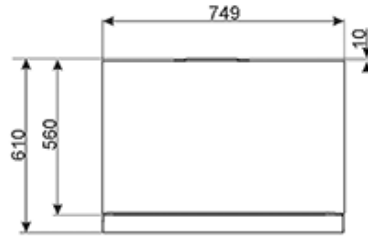
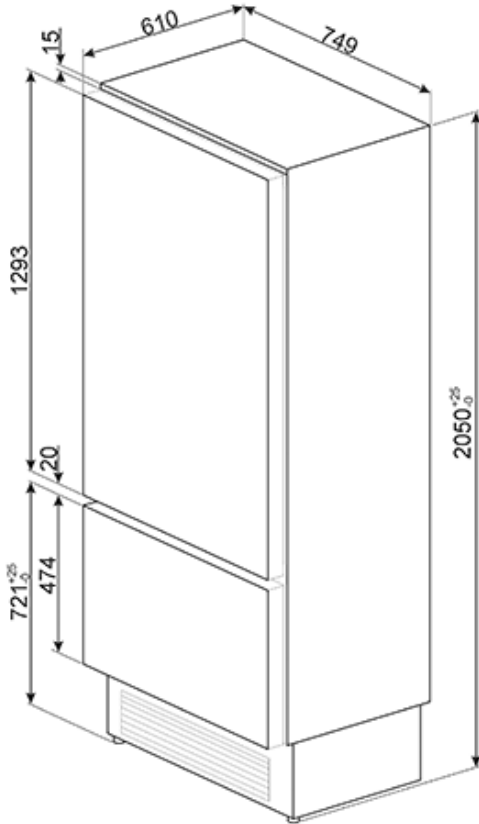


Smeg (UK) Ltd  
The Magna Building, Wyndyke Furlong, Abingdon  
OX14 1DZ  
Tel. +44 (0)844 557 9907  
Fax +44 (0)844 557 9337



# RI76RSI

fridge freezer  
built-in  
Luxury  
white  
75 cm  
energy rating A+



Smeg (UK) Ltd  
The Magna Building, Wyndyke Furlong, Abingdon  
OX14 1DZ  
Tel. +44 (0)844 557 9907  
Fax +44 (0)844 557 9337