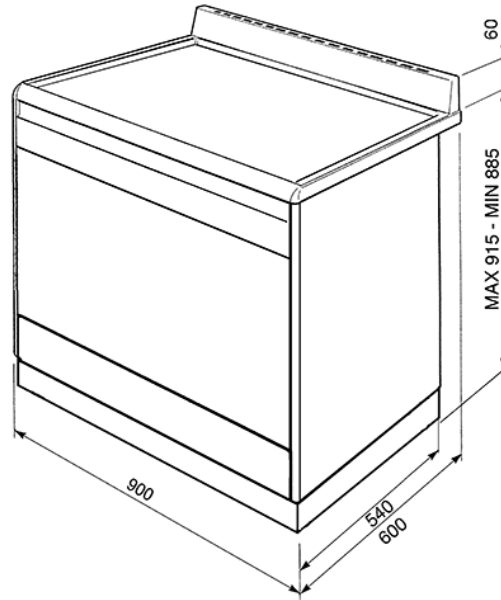


90cm "Concert" Cooker with Multifunction Oven  
and Ceramic hob, St/steel  
Energy rating A  
EAN13: 8017709217372



NB: Height with plinth installed is fixed at 900mm

• MAIN OVEN •



• 8 functions • Oven capacity: gross - 129 litres, net - 115 litres • Usable cavity space dimensions (HxWxD): 371x724x418mm • Digital electronic clock/programmer • Air cooling system • Closed door grilling • Removable inner door glass • Easy clean enamel interior • 5 cooking levels • Metal side supports • Triple glazed removable door • **Double fan** • End of cooking acoustic alarm • Storage compartment beneath the oven • Black plinth provided • HOB • 5 radiant 'High-Light' zones, including • Front right: Ø 147mm, 2.30 kW • Rear right: Ø 197mm, 1.30 kW • Central dual zone: Ø 170/265mm, 2.30 kW • Rear left: Ø 212mm, 2.30 kW • Front left: Ø 147mm, 1.30 kW • Residual heat indicators • Automatic safety cut-out • **Nominal power: 11.80 kW** • Supply can vary depending on usage, please consult a qualified electrician for ampere requirement • **STANDARD ACCESSORIES:** 1 x Extra deep tray (40mm deep) 1 x Roasting/grill pan (20mm deep) 2 x Chrome shelves Rotisserie kit • NB: This model supersedes the SUK91CMX8

Functions

