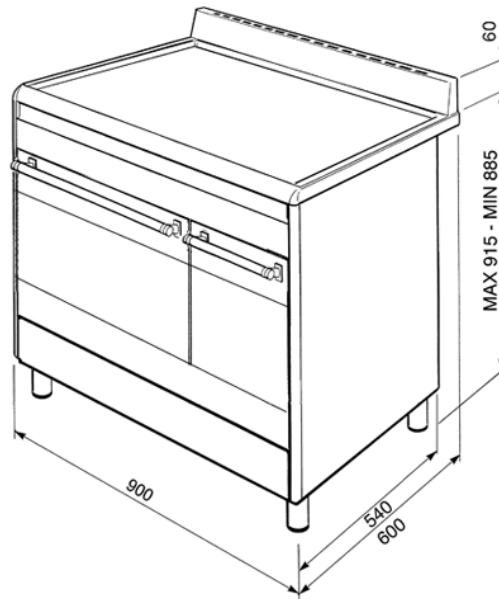


90cm "Concert" Cooker with Double Oven and Ceramic hob, Stainless Steel
 Energy rating AA
 EAN13: 8017709172329



NB: Height with plinth installed is fixed at 900mm

• MAIN OVEN •



• 7 functions including Circulaire element with fan • **Oven capacity: gross - 79 litres, net - 70 litres** • Usable cavity space dimensions (HxWxD): 316x444x425mm • Digital electronic clock/programmer • Air cooling system • Closed door grilling • Removable inner door glasses • **Vapor clean** • Conventional (main oven): 0.85kWh • Forced air convection (main oven): 0.99kWh • **AUXILIARY OVEN** (static oven) •



• 4 functions including upper and lower element • Oven capacity: gross - 39 litres, net - 35 litres • Usable cavity space dimensions (HxWxD): 311x206x418mm • Air cooling system • Closed door grilling • Conventional (auxiliary oven): 0.74kWh • Double storage compartment beneath the ovens • Silver feet and black plinth provided • HOB •

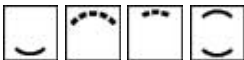


• 5 Radiant 'High-Light zones', including 2 dual • Rear left: Ø 195mm, 2.0 kW • Front left: Ø 140mm, 1.2 kW • Central dual zone: Ø 170/265mm, 1.4/2.2 kW • Rear right dual zone: Ø 140/210mm, 0.75/2.2 kW • Front right: Ø 140mm, 1.2 kW • Residual heat indicators • Automatic safety cut-out • **Nominal Power: 13.3 kW** • **Supply can vary depending on usage, please consult a qualified electrician for ampere requirement** • **STANDARD ACCESSORIES:** • Main oven: • 2 x Roasting/grill pan • Grill mesh • Chrome shelf • Auxiliary oven: • Grill mesh • Chrome shelf • Non-stick tray

Functions



Main Oven



Auxiliary Oven

Options

- PRTX - Pizza stone with handles • KIT90X - St/steel splash back • PALPZ - Folding Pizza Shovel • PR7A2 - Plate Rack (for

use in Auxiliary Oven)